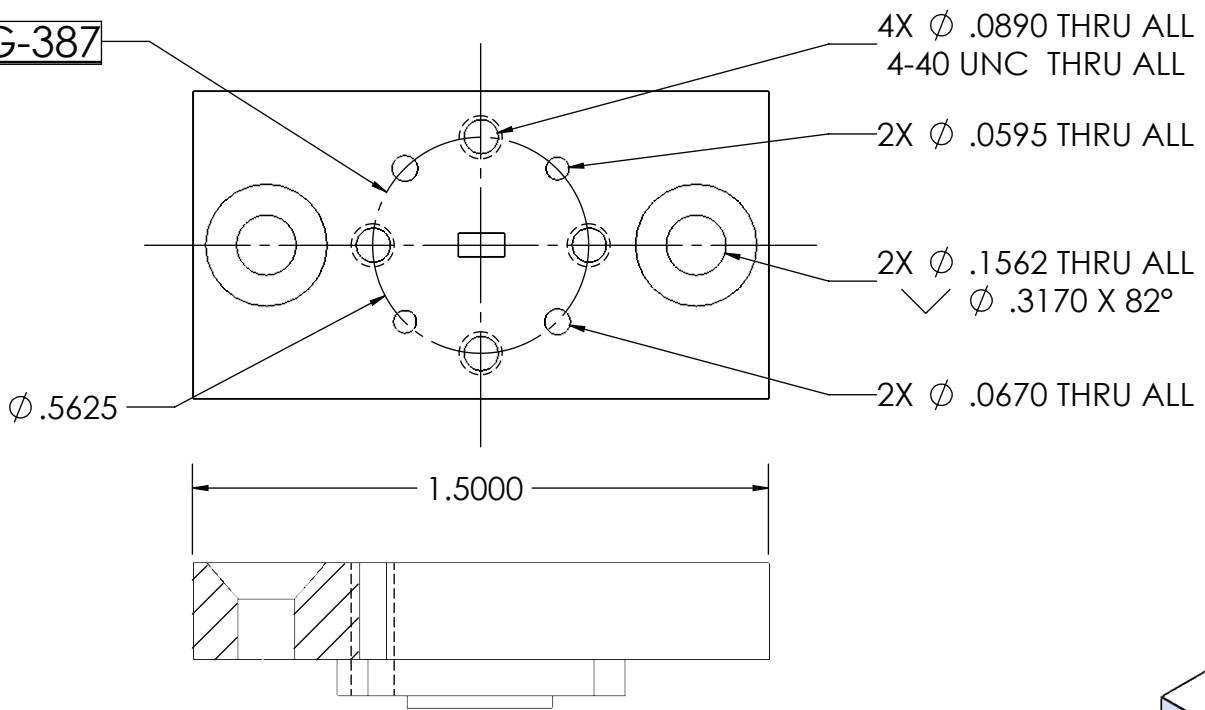
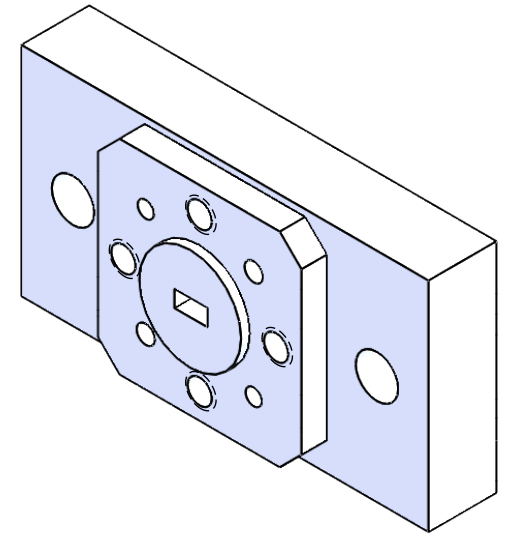
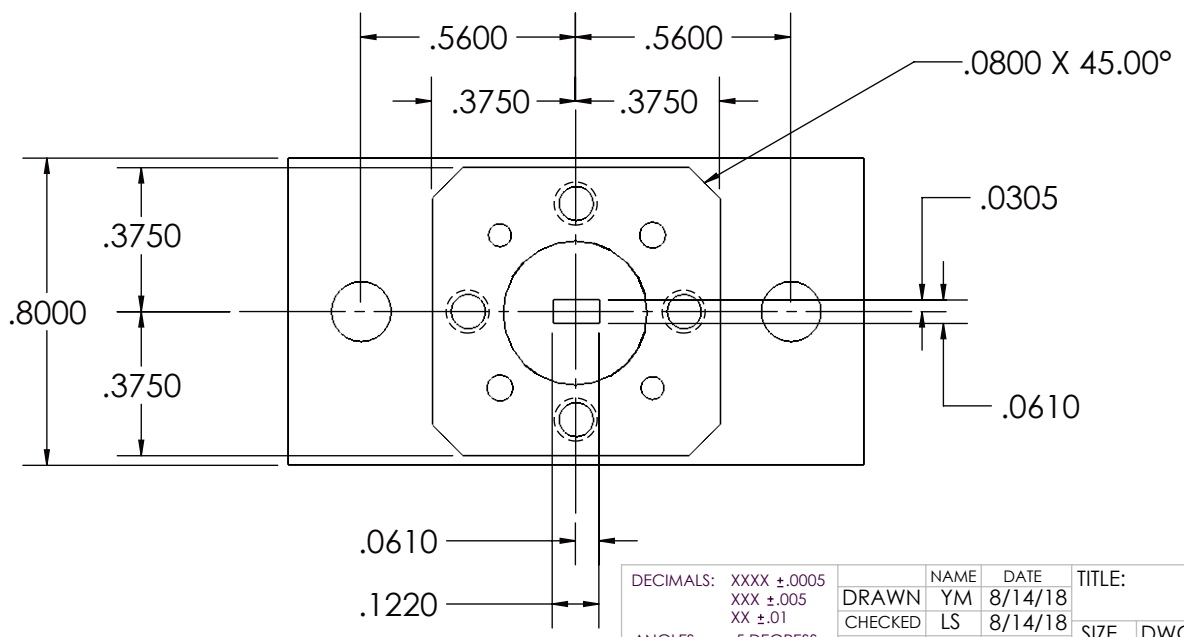
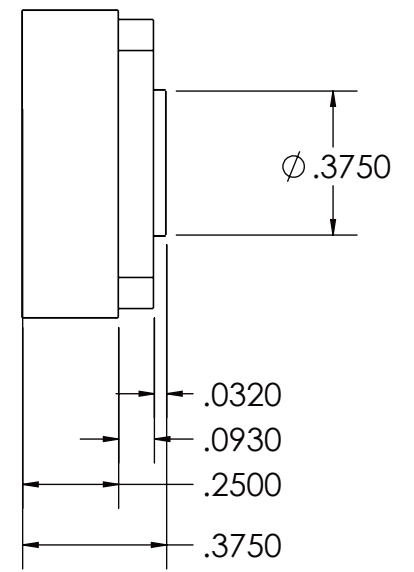


UG-387



REVISIONS			
REV	DESCRIPTION	DATE	APPROVED
--	--	--	--



DECIMALS: XXXX \pm .0005 XXX \pm .005 XX \pm .01	NAME	DATE
ANGLES: \pm .5 DEGREE	DRAWN YM	8/14/18
THIRD ANGLE PROJECTION	CHECKED LS	8/14/18
	ENG LS	8/14/18
	MATL:	
	6061 T6 ALUMINUM	

TITLE: Mi-Wave Millimeter Products Inc.		REV
SIZE A	DWG. NO. 714_BULKHEAD FLANGE_387 WR-12_ADAPTER	-
SCALE: 2:1	WEIGHT:	SHEET 1 OF 1